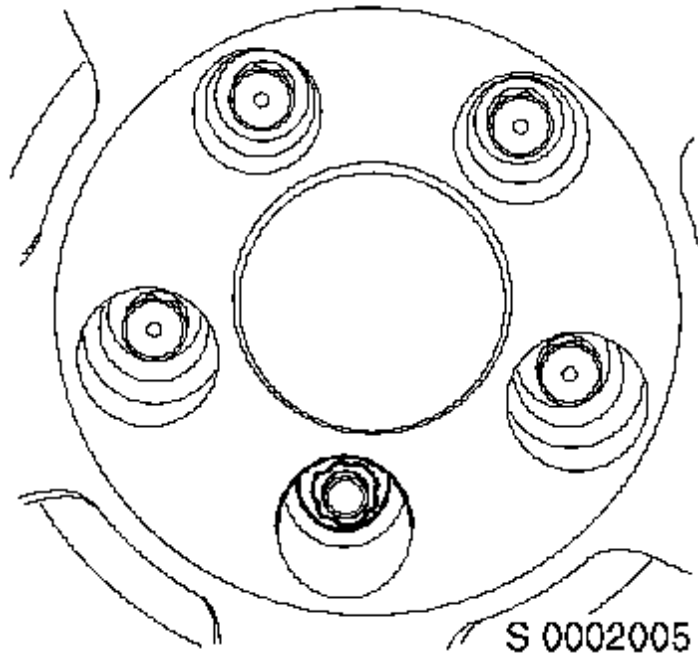


Shock Absorber, Remove and Install

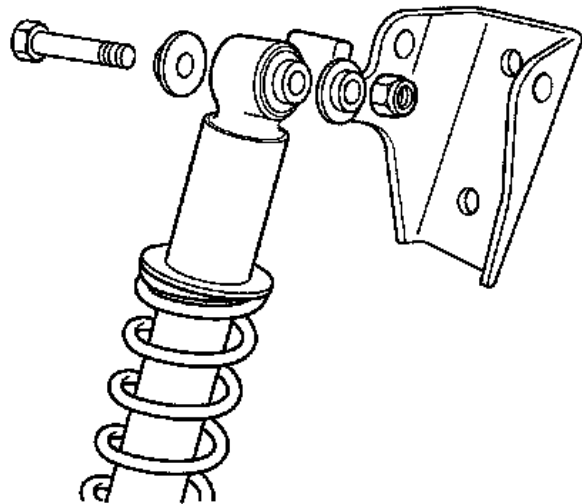


Remove

1. Remove appropriate front road wheel
 - Remove 4x bolt, remove security bolt
 - Use special socket located under front bonnet

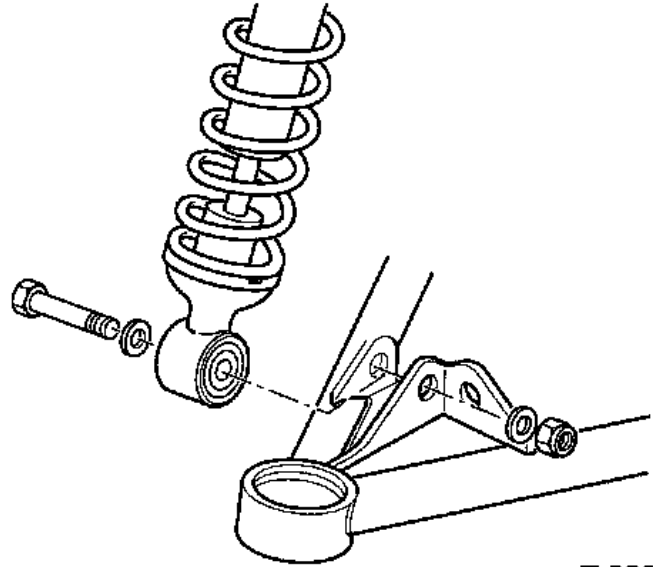


2. Position suitable support beneath lower wishbone
3. Remove shock absorber from chassis bracket
 - Nut, bolt, 2x washer, 2x spacer



T 9337

4. Remove shock absorber from lower wishbone
 - Nut, bolt, 2x washer



T 9336

**Install**

5. Install shock absorber to lower wishbone
 - New nut **45 Nm**, bolt, 2x washer
6. Install shock absorber to chassis bracket
 - New nut **45 Nm**, bolt, 2x washer, 2x spacer
7. Install upper shock absorber assembly to chassis bracket
 - New nut **45 Nm**, bolt, 2x washer, 2x spacer